

STINGER+ SERIES

Stinger+ (Plus) upgrades our workhorse series with advanced control, industry-leading weather-proofing plus the latest in synthetic rope advancements.

UPGRADED MOTOR

Fatter copper windings deliver more power with ease and cool faster.

UPGRADED ELECTRONICS

Features our top-shelf solenoids plus our DUO™ wireless/ wired remote.



UPGRADED DRIVE

Extruded, large-diameter drive spline compliments ultra-high motor torque.

UPGRADED GEARS

Larger cut-metal planetary gears outlast powdered metal.

Stand Out Performance



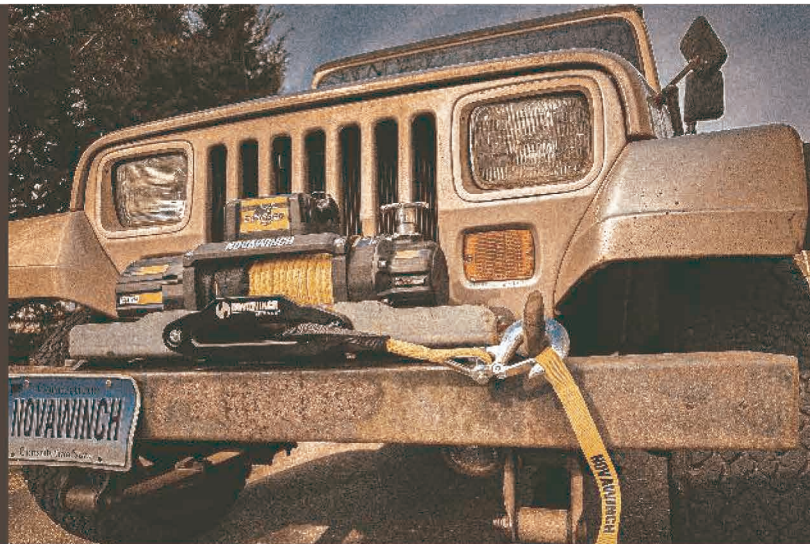
Upgraded Control: Built-in Wireless + Wired



Upgraded Seals - Meets IP68 Weatherproofing

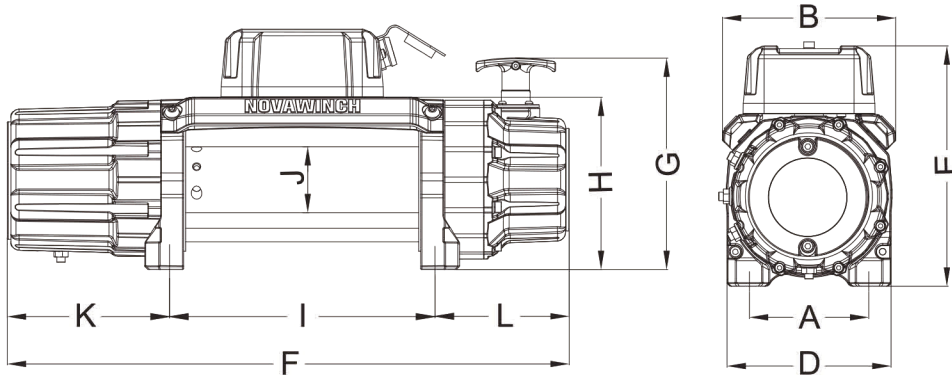


Upgraded Synthetic Dual Braid with Reflective



STINGER+

8000/10000/12000 lbs. Capacity



Dimensions	
A	4.50" (114mm)
B	6.53" (166mm)
D	6.18" (157mm)
E	9.05" (230mm)
F	21.25" (540mm)
G	7.95" (202mm)
H	6.49" (165mm)
I	10" (254mm)
J	2.48" (63mm)
K	6.14" (156mm)
L	5.11" (130mm)

STINGER 8000	
Rated Line Pull	8000 lbs. (3629 kg)
Voltage	12V DC
Motor	5.6hp (4.2kW)
Gear Train	3 Stage Planetary
Gear Ratio	196:1
Clutch	Pull & Turn
Braking Action	Mechanical, Auto Load Holding
Synthetic Rope	5/16" x 95' (8.1mm x 29m)
Fairlead	Aluminum Hawse
Drum Size	2.48" x 8.8" (63mm x 244mm)
Winch Dimensions	21.25" x 6.49" x 9.05" (540x165x230mm)
Mounting Bolt Pattern	10" x 4.5" (254mm x 114.3mm)
Remote	Wireless/Wired DUO, 12.7' (3.9m)
Net Weight	62.8 lbs (28.5 kgs)
Gross Weight	67.2 lbs (30.5 kgs)

STINGER 10000	
Rated Line Pull	10000 lbs. (4536 kg)
Voltage	12V DC
Motor	6.0hp (4.5kW)
Gear Train	3 Stage Planetary
Gear Ratio	196:1
Clutch	Pull & Turn
Braking Action	Mechanical, Auto Load Holding
Synthetic Rope	3/8" x 85.3' (9.2mm x 26m)
Fairlead	Aluminum Hawse
Drum Size	2.48" x 8.8" (63mm x 244mm)
Winch Dimensions	21.25" x 6.49" x 9.05" (540x165x230mm)
Mounting Bolt Pattern	10" x 4.5" (254mm x 114.3mm)
Remote	Wireless/Wired DUO, 12.7' (3.9m)
Net Weight	63.5 lbs (28.9 kgs)
Gross Weight	68.1 lbs (30.9 kgs)

STINGER 12000	
Rated Line Pull	12000 lbs. (5443 kg)
Voltage	12V DC
Motor	7.3hp (5.5kW)
Gear Train	3 Stage Planetary
Gear Ratio	196:1
Clutch	Pull & Turn
Braking Action	Mechanical, Auto Load Holding
Synthetic Rope	3/8" x 85.3' (9.2mm x 26m)
Fairlead	Aluminum Hawse
Drum Size	2.48" x 8.8" (63mm x 244mm)
Winch Dimensions	21.25" x 6.49" x 9.05" (540x165x230mm)
Mounting Bolt Pattern	10" x 4.5" (254mm x 114.3mm)
Remote	Wireless/Wired DUO, 12.7' (3.9m)
Net Weight	63.5 lbs (28.9 kgs)
Gross Weight	68.1 lbs (30.9 kgs)

Performance				
Line Pull		Line Speed		Current
Lbs.	kgs	FPM	MPM	Amps
0	0	29.5	9	65
2000	908	13.7	4.2	135
4000	1816	9.5	2.9	195
6000	2721	7.5	2.3	255
8000	3629	6.2	1.9	330

Performance				
Line Pull		Line Speed		Current
Lbs.	kgs	FPM	MPM	Amps
0	0	29.5	9.5	70
4000	1816	10.1	3.1	200
6000	2721	8.2	2.5	260
8000	3629	6.2	1.9	315
10000	4536	5.2	1.6	380

Performance				
Line Pull		Line Speed		Current
Lbs.	kgs	FPM	MPM	Amps
0	0	32.8	10	80
4000	1816	10.8	3.3	210
6000	2721	8.8	2.7	270
8000	3629	6.5	2.0	330
10000	4536	5.5	1.7	385
12000	5443	3.6	1.1	420



MORE AT NOVAWINCH.ES

